

MOVIA™ L

Small, light, robust and suitable for short- and mid-range automotive applications

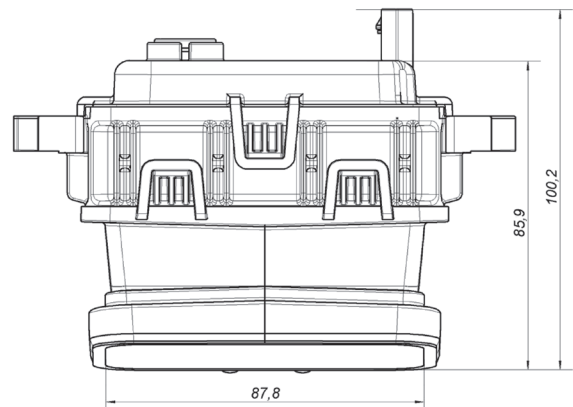
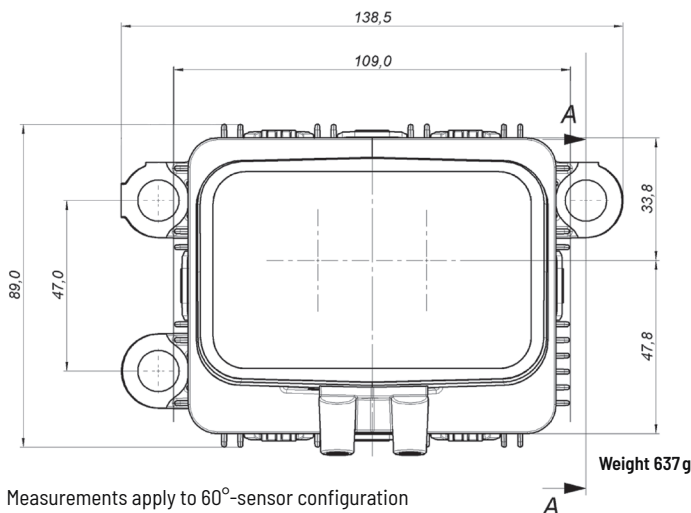


Key Features

- ▶ Developed to automotive-grade standards
- ▶ Solid-state solution
- ▶ Robust and reliable: no moving parts
- ▶ Transceiver resolution of 128 columns x 80 rows
- ▶ Sequential flash scanning captures environment hundreds of times, row by row
- ▶ Adverse weather performance due to multi-echo capability



Technical Drawing

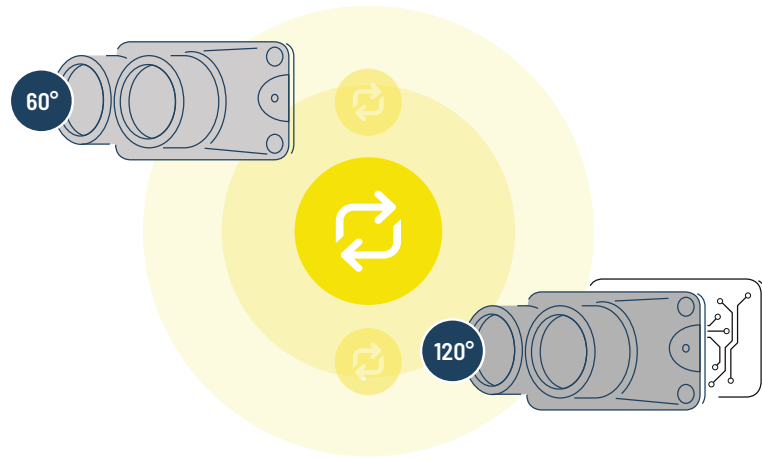


Safe mobility at the speed of life®



Modular Optics Concept

MOVIA™ L features a modular optics concept, allowing for quick and resource-saving adaptation of sensors during production to fit every use case. The same core components are usable with modular optics to allow variable fields of view. Depending on the application, 60 degree or 120 degree optics are available.



Technical Data

Optical	MOVIA™ L 60° automotive	MOVIA™ L 120° automotive
Max. field of view (h x v)	60° x 37.5°	120° x 75°
Max. angular resolution (h x v)	0.23° x 0.38°	0.47° x 0.75°
Measurement range	0.15 m – 80 m	0.15 m – 45 m
Range 10% target @ 100 kLUX	25 m (90% true positive rate)	14 m (90% true positive rate)
	32 m (50% true positive rate)	18 m (50% true positive rate)
Accuracy	3 cm	
Frame rate	5 – 25 Hz	
Wavelength	885 nm	
Electrical	MOVIA™ L 60° automotive	MOVIA™ L 120° automotive
Operating voltage	9 V – 16 V DC	
Maximum power consumption	< 15 W	
HW connector	Power: TYCO MCON 1.2 (2 Pin) Data: TYCO MCON 0.5 (3 Pin)	
Connectivity	100 BASE-T1 automotive ethernet	
Environment	MOVIA™ L 60° automotive	MOVIA™ L 120° automotive
Laser	Laser Class 1	
Operating temperature	-40° C – 85° C	
Ingress protection	IP6K9K	

Technology & Innovation



No moving parts



4D Output:
Point cloud & intensity image



Variable scan frequency



High resolution



Protected from environmental influences



Class 1 laser product



Low power consumption



Modular optics concept